

GN 896.1 | GN 896.2 | GN 896.3

Proximity Switch

with Mounting Bracket, for Toggle Clamps, Pneumatic

SPECIFICATION

Voltage range: 3 to 110 V AC/DC
 Switch load: 0.3 A
 Switch capacity (inductive): 10 VA
 Voltage drop LED: 3 V
 Temperature range: -20 °C to +85 °C
 Slew rate: 0.6 ms
 Life expectancy: 10⁷ operations
 Protection class: IP 67
 Electric cable PVC
 2 wires, 2.5 m.
 If used on DC brown wire to be connected to +, for the diode to work.

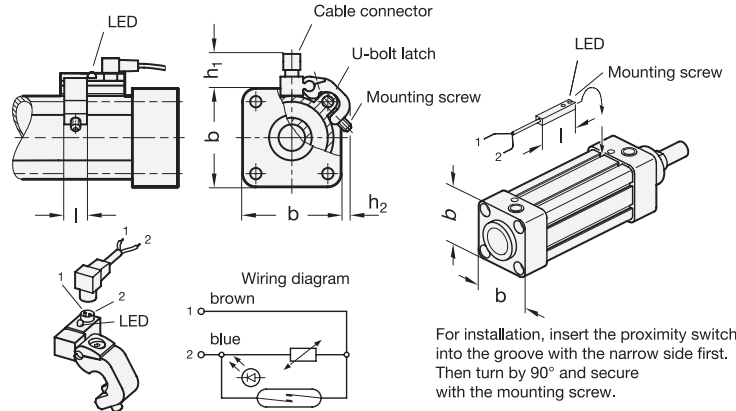
INFORMATION

With proximity switches GN 896.1 to GN 896.3 and cylinders with magnetic piston (type M), toggle clamps can trigger control signals (REED switch). The proximity switches with their mounting brackets can be set anywhere along the length of the cylinder. The mounting bracket is included.



GN 896.1 / GN 896.2

GN 896.3



GN 896.1 / GN 896.2 / GN 896.3

Pneumatically operated clamp	Proximity switch	b	h1 ≈	h2 ≈	l	⚖️
GN 860-200-AP3-M	GN 896.2	44	24	10	14	60
GN 860-200-EP3-M	GN 896.2	44	24	10	14	60
GN 860-300-AP3-M	GN 896.2	50	27	11	14	60
GN 860-300-EP3-M	GN 896.2	50	27	11	14	60
GN 860-400-AP3-M	GN 896.1	62	24	10	14	108
GN 860-400-EP3-M	GN 896.1	62	24	10	14	108
GN 861-1000-EP-M	GN 896.3	65	-	-	30	34
GN 862-200-APV3-M	GN 896.2	44	24	10	14	60
GN 862-200-EPV3-M	GN 896.2	44	24	10	14	60
GN 862-300-APV3-M	GN 896.2	50	27	11	14	60
GN 862-300-EPV3-M	GN 896.2	50	27	11	14	60
GN 862.1-200-APV3S-M	GN 896.2	44	24	10	14	60
GN 862.1-200-EPV3S-M	GN 896.2	44	24	10	14	60
GN 862.1-300-APV3S-M	GN 896.2	50	27	11	14	60
GN 862.1-300-EPV3S-M	GN 896.2	50	27	11	14	60
GN 863-1000-EPV-M	GN 896.3	65	-	-	30	34
GN 863-2000-EPV-M	GN 896.3	75	-	-	30	34
GN 890-360-SP3-M	GN 896.2	44	24	10	14	60
GN 890-1100-SP3-M	GN 896.2	50	27	11	14	60
GN 890-2100-SP3-M	GN 896.1	62	26	10	14	108

Specification	GN 896.1	GN 896.2	GN 896.3
Voltage range:	3 to 110 V AC/DC	3 to 110 V AC/DC	3 to 110 V AC/DC
Switch load:	0.3 A	0.3 A	0.2 A
Switch capacity (inductive):	10 VA	10 VA	6 VA
Voltage drop LED:	3 V	3 V	3 V
Temp. range:	-20 °C to +85 °C	-20 °C to +85 °C	-20 °C to +85 °C
Slew rate:	0.6 ms	0.6 ms	0.5 ms
Life expectancy:	10 ⁷ operations	10 ⁷ operations	10 ⁷ operations
Protection class:	IP 67	IP 67	IP 67